



## Commercial Cotton Candy Machines

Models: CCM-28 (machine only)  
CCM-28M (machine & cart)

The Show Time! Cotton Candy Machines are sure to impress whether it is a carnival, candy shop, or catering event. Entice customers with the sweet scent and cones of the fluffy treat.

The machine is available as counter unit as well as a cart to allow for convenient mobility.

### Standard Features on CCM-28 & CCM-28M

- ◆ Simple, easy-to-use controls makes 120 cones per hour
- ◆ Includes sugar scooper for pouring floss sugar
- ◆ 20-1/2" diameter stainless steel bowl with locking safety clips
- ◆ Large capacity built-in stainless steel supply drawer
- ◆ Spinner head holds 4oz of sugar and releases floss vertically to prevent clogging
- ◆ Low vibration 1.5hp heavy-duty motor with belt drive and (2) two replacement belts
- ◆ Easy access to voltage meter and fuse for use on generators and power supplies
- ◆ One year parts and labor warranty

### Additional Features on CCM-28M

- ◆ High polished push handle and spoked wheels
- ◆ 13" inflatable rubber tires for easy transport
- ◆ (2) Two side merchandising shelves (11" x 12-5/8"), one side with handle and other with cone holders

### Parts

CCM28-P1	Floss Spinner
CCM28-P2	Carbon Brush
CCM28-P3	Belt
CCM28-P4	High Limit
CCM28-P5	Sugar Spoon
CCM28-P6	Fuse
CCM28-P7	Switch
CCM28-P8	Drawer
CCM28-P9	Motor
CCM28-P12	Microswitch
CCM28-P11	Wheel*

\*Only for CCM-28M

NOTE: CCM-28 is not field convertible to add cart

### Winco®, DWL International Trading, LLC

New Jersey Headquarters:  
65 Industrial Road, Lodi, NJ 07644  
Tel. 1.888.946.2682 | Fax: 1.888.946.2632

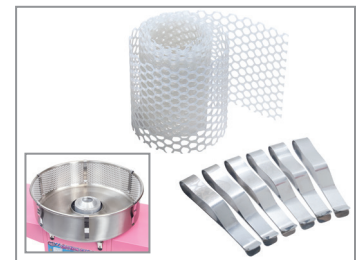
California Distribution Center  
14950-14952 Valley View Avenue, La Mirada, CA 90638  
Tel. 1.888.946.2652 | Fax: 1.562.926.5678

Florida Distribution Center  
10800 NW 103rd St. Bldg 22, Ste 11, Miami, FL 33178  
Tel. 1.786.536.4656

Project \_\_\_\_\_  
Item # \_\_\_\_\_  
Quantity \_\_\_\_\_



CCM-28C



CCM28-P10

### Accessories

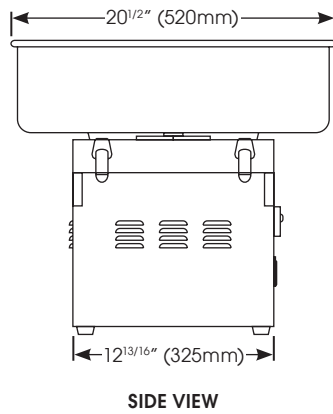
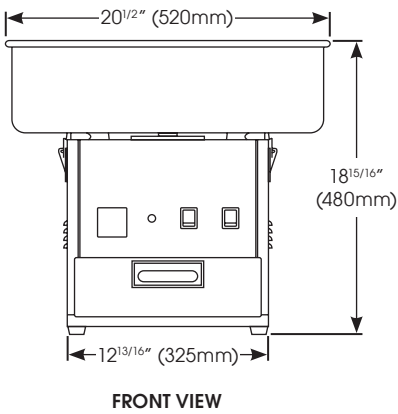
CCM-28C	Plastic Dome Cover
CCM28-P10	Floss Stabilizer with 6 Clips



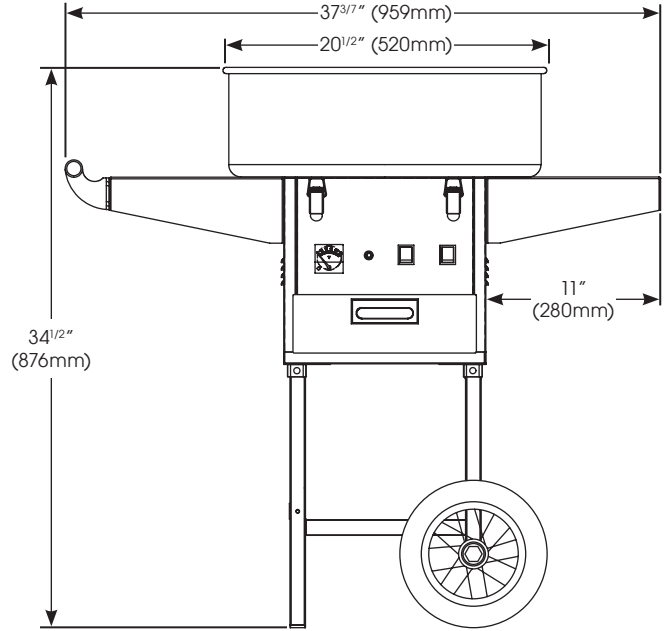
# Commercial Cotton Candy Machines

Models: CCM-28 (machine only)  
CCM-28M (machine & cart)

CCM-28



CCM-28M



## Specifications

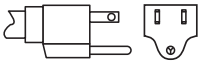
MODEL	DESCRIPTION	OVERALL DIMENSIONS			VOLTS	HZ	WATTS	AMPS	PLUG	SHIP WEIGHT
		WIDTH	DEPTH	HEIGHT						
CCM-28	Cotton Candy Machine	20-1/2" (520mm)	20-1/2" (520mm)	18-15/16" (480mm)	120	60	1080	9	NEMA 5-15P	33 lbs (15 kgs)
CCM-28M	Cotton Candy Machine and Cart	37-3/4" (959mm)	20-1/2" (520mm)	34-1/2" (876mm)						49.6 lbs (22.5 kgs)

## Cord Location

Right side of unit center towards front

## Plug Configuration

NEMA 5-15P



## Product Specs

### Commercial ShowTime! Cotton Candy Machines

The ShowTime! CCM-28 & CCM-28M are Commercial Cotton Candy Machines manufactured by Winco®, Lodi, NJ 07644.

Showtime! CCM-28 & CCM-28M commercial cotton candy machines shall be rated at 1080 watts, 120v/60/1. Units shall be equipped with easy to use individual controls for power & heat, with a capacity of 120 cones per hour, low vibration heavy-duty motor, belt drive assembly (with 2 replacement belts), voltage meter, replaceable fuse, sugar scoop, 20-1/2" diameter stainless steel bowl with locking safety clips, and large capacity stainless steel supply drawer. Units have cETLus and ETL sanitation certifications.

The CCM-28M cotton candy machine and cart shall additionally be equipped with a high polished push handle and 13" spoked wheels with inflatable rubber tires and (2) two side merchandising shelves (11" x 12-5/8") with one side having cone holders.

The optional clear lid (CCM-28C sold separately) provides protection from wind and debris.

The optional floss stabilizer (CCM28-P10 sold separately) attaches to the rim of the bowl to help prevent cotton candy from escaping the bowl by catching it on the mesh surface.

Warranty consists of one year parts and labor.

Winco®, DWL International Trading, LLC

www.winco.us.com | equipmentsales@winco.us.com

New Jersey Headquarters:  
65 Industrial Road, Lodi, NJ 07644  
Tel. 1.888.946.2682 | Fax: 1.888.946.2632

California Distribution Center  
14950-14952 Valley View Avenue, La Mirada, CA 90638  
Tel. 1.888.946.2652 | Fax: 1.562.926.5678

Florida Distribution Center  
10800 NW 103rd St. Bldg 22, Ste 11, Miami, FL 33178  
Tel. 1.786.536.4656